

# QPRESS 50 (OPAL X-PRESS)



Qpress 50-2 -  
Basic unit with 1 additional pressing unit Qp 50



Qpress 50-4 -  
Basic unit with 3 additional pressing units Qp 50

## MODULAR DESIGN

The innovative designed Qpress 50 (Opal X-Press) hot mounting press allows fast and simultaneous mounting of different materialographic specimens. For specific customer needs concerning different material and sample sizes, the device can be optimally configured by selecting the Qpress 50-2 or -4 version. The basic unit, consisting of control and pressing unit,

can be extended as required by 1-3 additional pressing units Qp 50. These units are separated from the basic unit and can also be added later. This allows to generate samples of up to 4 different diameters simultaneously in one modular device.

### BASIC UNIT

#### Qpress 50-2

(max. 2 moulds totally)

- | basic unit, consisting of control- and integrated pressing unit
- | extendable with 1 additional pressing unit Qp 50

WxHxD 589 x 380.7(476.9) x 523.2 mm

200-240 V, 50/60 Hz

Order No.: M0800004

100-120 V, 50/60 Hz

Order No.: M0800005

#### Qpress 50-4

(3-4 moulds totally)

- | basic unit, consisting of control- and integrated pressing unit
- | extendable with up to 3 additional pressing units Qp 50

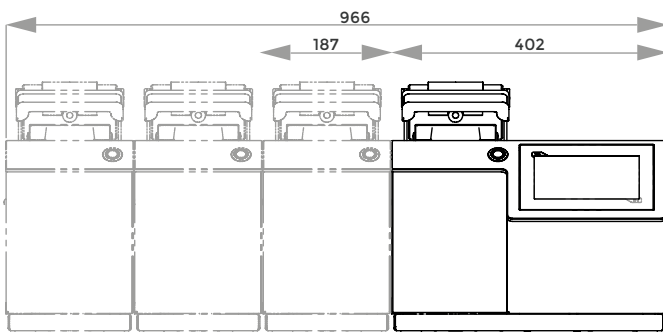
WxHxD 776-966 x 380.7(476.9) x 523.2 mm

200-240 V, 50/60 Hz

Order No.: M0800002

100-120 V, 50/60 Hz

Order No.: M0800003



## MODULAR HOT MOUNTING PRESS QPRESS 50 (OPAL X-PRESS)



### FAST MOUNTING CYCLE

The Qpress 50 is designed for fast mounting including a pre-heat function and safes significantly time compared to other hot mounting presses.

### MODULAR DESIGN

The basic unit can be equipped with up to three additional pressing units (up to 4 moulds in total). The pressing units are separated from the basic unit. This allows adding pressing units on a later date and installing up to four different diameters at a time, combined in one device.

The diameter of the mould can be chosen by 25.2 mm, 30 mm, 1 1/4" (~32 mm), 1 1/2" (~38 mm), 40 mm, 50 mm - each diameter with or without chamfer.

The Qpress 50 (Opal X-Press) is a modular hot mounting press for fast and simultaneously independent mounting of different material-graphic specimens. Due to its modularity the Qpress 50 can be configured ideally to the specific customer's needs; e.g. the specimens can differ in

size and material. The 7" touch screen with intuitive software contains user account management, pre-installed recipes and user-defined maintenance tasks and more. The device combines fast mounting and high energy efficiency in a robust powder-coated steel case.



### IMPROVED SLIDING CLOSURE

For easy operation a single-hand closure system has been evolved. By closing the sliding closure with suction nozzle, excess granulate is transported into a detachable shelf (dirt trap). The closure can be lifted up to clean the upper ram easily. Secure closure is given by self-locking under pressure.



### USER SAFETY

An integrated exhaust device (Dust Guard) protects the operator from inhaling expired fine dust during filling the moulds with mounting resin.



### EASY TO OPERATE

The multi-functional button indicates the selected mounting unit, the operation state of the pressing unit and facilitates the operation of the whole unit. The 7" touch display with control software consists of pre-installed mounting methods, consumables and offers the storage of more than 200 user-defined mounting methods. The user account management can be used to set different user accounts with diverse access and operator limits. In addition to that, user-defined maintenance tasks and cooling modes can be edited.



Basic unit

### BASIC UNIT

#### Qpress 50 (OPAL X-PRESS)

- | modular hot mounting press
- | basic unit with hydraulic mounting press and control interface for modular extension
- | fast mounting with low power consumption
- | proven one-hand closure system with integrated dirt trap (granular shelf to collect excess granulate) and suction nozzle
- | Dust Guard: removal of fine dust during filling of mold
- | 7" touch display with innovative control software
- | high flexibility due to customized
  - preheating function
  - cooling modes
  - maintenance tasks
- | user accounts with definable access rights
- | robust steel construction, powder coated



Qpress 50-2 -  
Basic unit with 1 additional pressing units Qp 50

#### Qpress 50-2 (OPAL X-PRESS 2)

- | basic unit extendable with 1 additional pressing unit (total up to 2 pressing units)

200-240 V, 50/60 Hz (1Ph/N/PE)

Order No.: M0800004

100-120 V, 50/60 Hz (1Ph/N/PE)

Order No.: M0800005



Qpress 50-4 -  
Basic unit with 2 additional pressing units Qp 50

#### Qpress 50-4 (OPAL X-PRESS 4)

- | basic unit extendable with up to 3 additional pressing units (total up to 4 pressing units)

200-240 V, 50/60 Hz (1Ph/N/PE)

Order No.: M0800002

100-120 V, 50/60 Hz (1Ph/N/PE)

Order No.: M0800003



### ACCESSORIES

#### PRESSING UNIT Qp 50 (P-50)

- | additional pressing unit for basic unit
- | mould assemblies available in 6 different sizes
- | with sliding closure

##### Equipment 1

200-240 V, 50/60 Hz (1Ph/N/PE)

Order No.: A0800011

##### Equipment 2

100-120 V, 50/60 Hz (1Ph/N/PE)

Order No.: A0800012

**ACCESSORIES**

**MOULD ASSEMBLY**

I cylinder, upper and lower ram



Mould size	Equipment 1 200-240 V, 50/60 Hz (1Ph/N/PE)		Equipment 2 100-120 V, 50/60 Hz (1Ph/N/PE)	
	without chamfer	with chamfer	without chamfer	with chamfer
	<b>Order No.:</b>	<b>Order No.:</b>	<b>Order No.:</b>	<b>Order No.:</b>
Ø 25.2 mm (~1")	A0800210	A0800220	A0800110	A0800120
Ø 30 mm	A0800211	A0800221	A0800111	A0800121
Ø 1¼" (~32 mm)	A0800213	A0800223	A0800113	A0800123
Ø 1½" (~38 mm)	A0800214	A0800224	A0800114	A0800124
Ø 40 mm	A0800215	A0800225	A0800115	A0800125
Ø 50 mm	A0800216	A0800226	A0800116	A0800126

**VACUUM CLEANER Qpress 50**



I extern

Motor	0.6 kW
Effective airflow volume	20-200 m <sup>3</sup> /h
WxHxD	300 x 510 x 300 mm
230 V/50 Hz (1Ph/N/PE)	
<b>Order No.:</b>	<b>A0800227</b>
110 V/60 Hz (1Ph/N/PE)	
<b>Order No.:</b>	<b>A0800228</b>

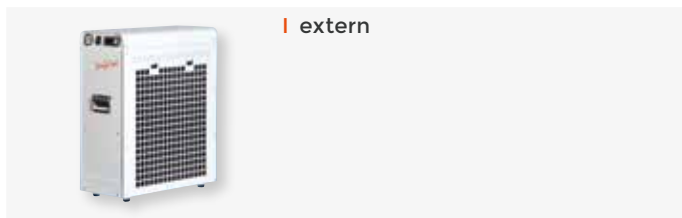
**CONNECTION SET**

2x pressure tube	R 1/2"; 2 m long
Adapter	for 3/4"
<b>Order No.:</b>	<b>Z0800001</b>

**ACCESSORIES**

**RECIRCULATION COOLING UNIT**

Recirculation cooling unit



I extern

Cooling	1.7 kW
Motor	1.4 kW
Flow pressure	5.0 bar
Tank	4 Ltr.
WxHxD	235 x 520 x 625 mm
230 V/50 Hz (1Ph/N/PE)	
<b>Order No.:</b>	<b>A0800233</b>
110 V/60 Hz (1Ph/N/PE)	
<b>Order No.:</b>	<b>A0800234</b>

System cooling unit

I Integrated in drawer (21 HT)

Cooling	1.7 kW
Motor	1.4 kW
Flow pressure	5.0 bar
Tank	4 Ltr.
230 V/50 Hz (1Ph/N/PE)	
<b>Order No.:</b>	<b>A0800235</b>
110 V/60 Hz (1Ph/N/PE)	
<b>Order No.:</b>	<b>A0800236</b>

### SPECIFICATIONS

Mould	Ø 25.2-50 mm (6 different sizes)
Connected load (basic unit)	1.6 kVA
Connected load (addit. pressing unit)	1.5 kVA
Power supply	1 200-240 V, 50/60 Hz (1Ph/N/PE)
	2 100-120 V, 50/60 Hz (1Ph/N/PE)

### SPECIFICATIONS

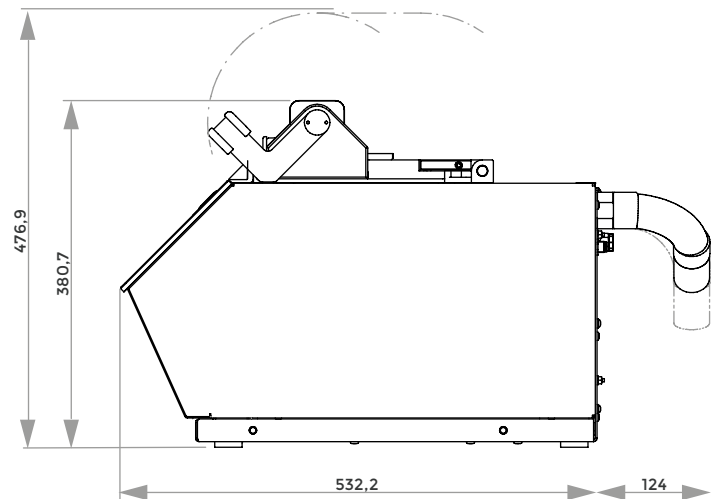
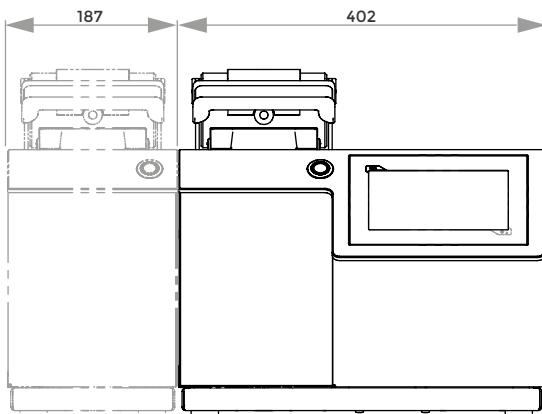
Heating power	1200 W
Temperature range	20-200 °C
Heating time	adjustable
Cooling time	adjustable
Max. pressure in mold	250-350 bar depending on size

### BASIC UNIT

WxHxD	402 x 382 x 536 mm
Weight	~ 50 kg

### ADDITIONAL PRESSING UNIT

WxHxD	187 x 382 x 449 mm
Weight	~ 40 kg



**MODULAR HOT MOUNTING PRESS**

**OPAL X-PRESS – CONFIGURATION**

Please refer to step 1 - 5

**1. CHOOSE BASIC UNIT**

QPRESS 50-2	QPRESS 50-4
200-240 V, 50/60 Hz	200-240 V, 50/60 Hz
Order No.: M0800004	Order No.: M0800002
100-120 V, 50/60 Hz	100-120 V, 50/60 Hz
Order No.: M0800005	Order No.: M0800003



**2. CHOOSE MOULD ASSEMBLY FOR BASIC UNIT**

Mould size	200-240 V, 50/60 Hz		100-120 V, 50/60 Hz	
	without chamfer	with chamfer	without chamfer	with chamfer
	Order No.:	Order No.:	Order No.:	Order No.:
Ø 25.2 mm	A0800210	A0800220	A0800110	A0800120
Ø 30 mm	A0800211	A0800221	A0800111	A0800121
Ø 1¼" (~32 mm)	A0800213	A0800223	A0800113	A0800123
Ø 1½" (~38 mm)	A0800214	A0800224	A0800114	A0800124
Ø 40 mm	A0800215	A0800225	A0800115	A0800125
Ø 50 mm	A0800216	A0800226	A0800116	A0800126



**3. ADD CONNECTION SET**

Order No.: Z0800001

**4. CHOOSE ADDITIONAL PRESSING UNIT Qp 50**

Note correct voltage

200-240 V, 50/60 Hz	100-120 V, 50/60 Hz
Order No.: A0800011	Order No.: A0800012



**5. CHOOSE MOULD ASSEMBLY FOR ADDITIONAL PRESSING UNIT Qp 50**

Mould size	200-240 V, 50/60 Hz		100-120 V, 50/60 Hz	
	without chamfer	with chamfer	without chamfer	with chamfer
	Order No.:	Order No.:	Order No.:	Order No.:
Ø 25.2 mm	A0800210	A0800220	A0800110	A0800120
Ø 30 mm	A0800211	A0800221	A0800111	A0800121
Ø 1¼" (~32 mm)	A0800213	A0800223	A0800113	A0800123
Ø 1½" (~38 mm)	A0800214	A0800224	A0800114	A0800124
Ø 40 mm	A0800215	A0800225	A0800115	A0800125
Ø 50 mm	A0800216	A0800226	A0800116	A0800126



For Qpress 50-4: repeat step 3, 4 + 5 if necessary